

Catrin Koring / Axel Baudach
P.O.Box 64004
CY - 8071 Pafos

Transmitted via Fax +357 26 848 712

Pafilia Limited
Attn: Mr. George Voniatis
Pafilia House
33 Nicodemou Mylona Street
Marina Court
CY - Paphos

5. January 2009

Re: Komasha 6/7

Dear George,

First of all we like to extend our best wishes for 2009 to you and your family. We hope you had relaxing and enjoyable holidays.

According to our contract our villa is ready for delivery on 31 January 2009. As you know, it looks like an ambitious goal. We are still waiting for quotations and details since the end of November 2008. May we ask you to give us a status what keeps Pafilia from sending these quotations.

Also, I like to reflect some of the conversations we (George/Catrin) have had in December 2008 regarding our villa Komasha 6/7. As I have not received any feedback from you so far I like to put the topics in writing. Please review these topics and get back to me with any additions / comments you may have:

Catrin´s level

1. VRC – System

The last time we met you were accompanied by Pafilia´s expert for VRV systems. During the meeting I noticed that he was working with old architectural drawings. I like to point out that I do not want to have any VRV units in the middle of my living room. This was never the intent of the architect when we got our first drawings.

I also like to ask you to review the VRV solution for the kitchen. There must be a better way of installing the VRV system but right in the middle. This too was planned differently by Said when we first discussed VRV heating / cooling technology. I like to ask you to discuss the placement of the VRV Units with your engineers internally and present a concept to me prior to any installation activities.

2. Kitchen Entrance Door

According to our contract specifications I have a solid wooden kitchen entrance door. I am now aware that this feature does not look right in context with the overall design of the villa and an aluminium door will be more suitable. Thank you for pointing this out to me in our last meeting. However, the door will be visible from the living room and thus I like to obtain an aluminium door design that consist of 3-4 glass elements distributed over the entire door (see sample).



Please let me know

- where I can select a door model
- by what date do I have to select the door

Axel's level

3. Kitchen Ventilation System

Please remember to properly install the cooking exhaust ventilation pipes. In March 2008 we gave Said the technical specifications. However, I am uncertain if Sonia has the right documents. The company (Gaggenau) has recently upgraded/changed its kitchen model. The measurements are the same, but the order number has changed.

The right model number is:

- 400 Series Vario Downdraft Ventilation System - VL 431-707 (see attached technical specifications)
- Remote blower unit GB 031-707

Please let me know until 9th. January 2009 if you have all necessary information regarding this Gaggenau Ventilation System.

General:

4. Outside boundary property wall (facing the cliff)

We would like to opt for no boundary wall in front of the waterfall swimming pool in order not to block the view when swimming. Maybe you can design the boundary wall like on Axel's balcony with the X metal beams: the wall gradually slopes down on one side and retracts on the other. This way it is not a hard change in design but we have a gradual opening. We guess that the opening should be about 7 – 8 meters wide.

If you think this could create problems for whatever reasons we should sit down and discuss potential solutions.

So far no wall has been started on that side yet. Thus this change should actually be no building problem as less material is used. Please let me know by January 9th how you think this change should be carried out.

5. Delivery Date

The delivery date of our villa according to our contract is 31. January 2009. Please let me know by 9th of January 2009 when our villa:

- is officially ready for delivery
- will be connected to Peyia local government water system
- will be connected to Cyprus Electricity Service
- will be connected to Cyprus Telecom for phone and internet services

Thank you for your support.

With kind regards



Axel Baudach



Catrin Koring

Enclosure

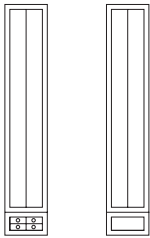
- Gaggenau 400 Series Vario Downdraft Ventilation System specifications

400 Series Vario Downdraft

Ventilation system

Stainless steel frame

Width 3 11/16" (9.3 cm)



For combination with remote blower unit GB 031-707.

VL 431-707

Control unit

VL 430-707

Expansion element

120V / 60Hz

VL 431-707

- Ventilation element integrated in the cooktop. The least conspicuous ventilation method around.

- Effective extraction at the countertop level. No breathing in cooking vapors. Keeps your head clear.

- More head room. Gives you more space over the cooktop area.

Downdraft ventilation system control unit for combination with Vario 400

Pro Series cooktops.

Two step power setting.

Automatic sealing flaps.

Stainless steel grease filter, dishwasher-safe.

Output control by soft-touch keys.

Time setting runs approximately 22 minutes on low speed with automatic shut-off.

Delayed shut-off in the 0 setting after 15 seconds.

VL 430-707

Cooktop air intake same as VL 431-..., but without controls. **Must be used with VL 431-707.**

Same features as above.

Can be combined with: VC 422, VF 411, VG 421, VR 421.

Do not use with VG 411-210 CA.

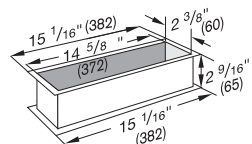
Optional accessories:

AL 400-000 Finishing strip, when cooktop ventilator is installed as the last appliance in a combination. (Requires no cut-out space.)

AS 070-000 Connection piece as extension for installation with VF 411 or VK 411.

LS 330-000 Air deflector required

for combination with gas cooktop VG 421 to prevent a flame which has been set to a low level from being extinguished.



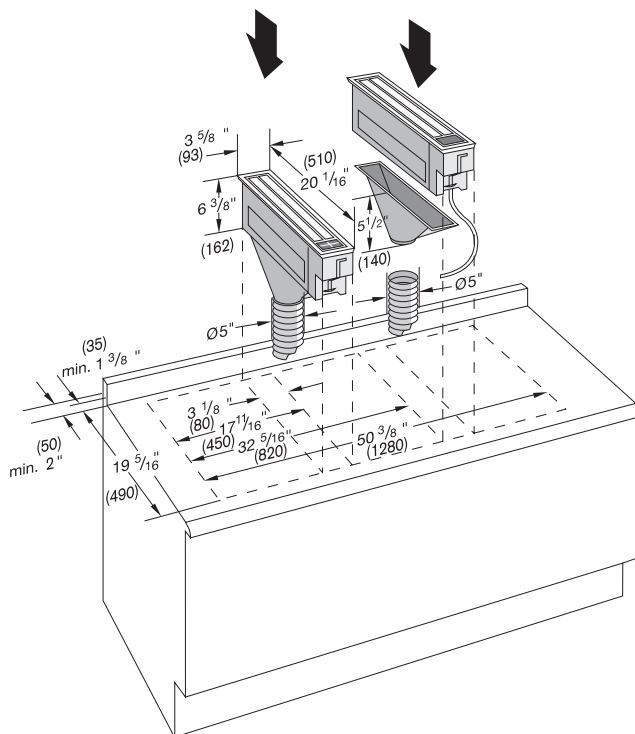
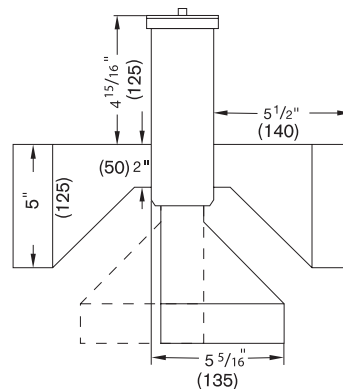
Planning notes:

VL 430/431-707 must be installed with remote blower GB 031-707.

Extraction through Ø 5" ducting to remote blower unit GB 031-707.

Combination of only 1 x VL 431 and 1 x VL 430 possible.

Unit comes with a standard 120V, 60Hz wall plug.



Numbers indicated inside parenthesis () = mm